

FLOOR CARE MAINTENANCE KIT

The ideal tool for easy and hygienic maintenance of all floor surfaces including: wood, laminate, ceramic stone as well as LVT floors.

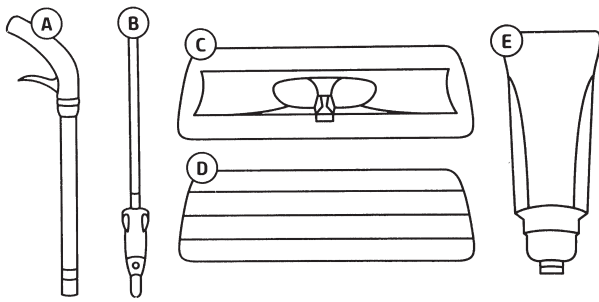
Our Floor Care Maintenance Kit is specifically designed to complement Eukula, Dr Schutz and Peerless Jal floor coatings.

Features:

- A complete kit to maintain and protect your floor
- Versadet is safe on all flooring types and a highly effective cleaner
- Easy to use Dispensing Cap that ensures the right dilution and a superior streak free clean
- An ergonomic mop handle design which makes cleaning easier
- A maneuverable swivel head and 2 reusable Microfibre pads that are machine washable
- The second pad can be used to apply Oil Refresher on timber floors if required.

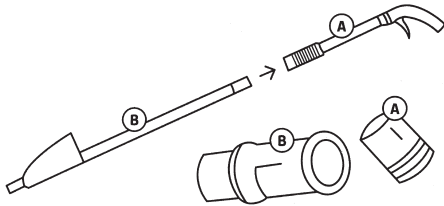


ASSEMBLY INSTRUCTIONS



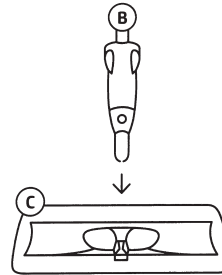
- (A) Handle
- (B) Lower Pole
- (C) Mop Base
- (D) Cleaning Pad
- (E) SPRAYMAX Cleaner cartridge

1



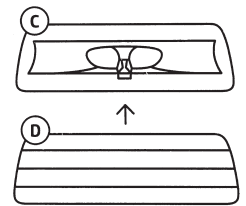
Connect handle (A) with the lower pole (B)

2



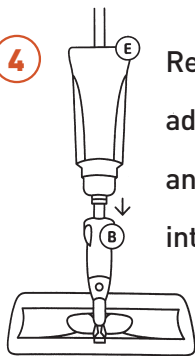
Attach the lower pole (B) onto the mop base (C)

3



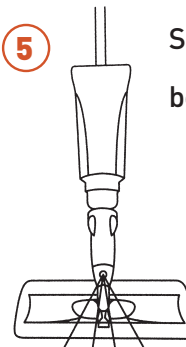
Place cleaning pad (D) onto mop base (C)

4



Remove cap from Spraymax Bottle (E) add 10ml of Versadet Neutral Floor Cleaner and fill with water. Click Spraymax Bottle (E) into place on mop (B)

5



Spray clean and enjoy the beauty of your floor.

VERSADET BOTTLE INSTRUCTIONS:

- Uncap the bottle and screw on the dispensing cap found attached to the Versadet bottle
- The Dispensing Cap can now be kept on as long as the bottle is stored upright
- Squeeze the bottle until 10ml of product is in the dispensing cap

ROUTINE MAINTENANCE:

The frequency of maintenance will depend on the amount of foot traffic and surrounding environment. Sweep regularly to remove all loose dust, dirt and foreign matter. Spot mop general spillages as soon as they occur. Clean the floor as required by damp mopping with a solution of PEERLESS JAL VERSADET FLOOR CLEANER as per bottle instructions in your microfiber mop system. The provision of entrance matting will help prevent the entry of damaging and unsightly dirt and grit. Clean entrance matting regularly.

Note:

Do not over wet your floor.

If using EUKU OIL 1 FS system a second mop is supplied that can be used to apply EUKU REFRESHER undiluted. For detailed instructions refer to product information sheet.