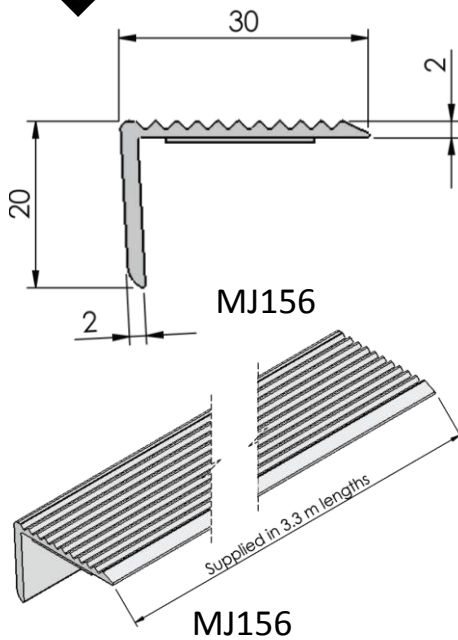


# STAIRNOSING – MJ156



- ✓ Aluminium stairnosng profile
- ✓ Supplied in 3.3m lengths
- ✓ Available in Silver, Bronze, Champagne and Black anodised finish
- ✓ Comes fitted with high grab pressure sensitive adhesive for easy application

## Compliance

- ✓ Tested to the requirements of AS4586:2013 with a P3 Slip Resistance rating

CODE	DESCRIPTION	PK QTY
MJ156 / SI	STAIRNOSING SELF ADHESIVE 3.3M X 30MM SILVER	10
MJ156 / BR	STAIRNOSING SELF ADHESIVE 3.3M X 30MM BRONZE	10
MJ156 / CH	STAIRNOSING SELF ADHESIVE 3.3M X 30MM CHAMPAGNE	10
MJ156 / BL	STAIRNOSING SELF ADHESIVE 3.3M X 30MM BLACK	10

## Installation instructions:

MJ156 is supplied with high grab pressure sensitive adhesive pre-applied to the backing and is designed to be installed on a clean, smooth surface. Ensure surface is levelled, clean and smooth prior to removing the adhesive protection and applying the Light Bullnose trim to the surface. It is recommended that a bead of silicone or mastic adhesive is run along the bottom edges of the MJ156 to fill in any surface variations of the concrete floor. This will remove any subsequent “tapping” effect that could develop. When the MJ156 has been fitted we recommend using a small roller along the entire length to ensure firm adherence.

**Safety statement:** When cutting or drilling aluminium we recommend the use of safety glasses and gloves.

**Disclaimer:** Whilst this profile complies to the above noted standards we recommend that the stairnosng selection is approved by the Project Certifier or Access Consultant prior to installation. It is the responsibility of the customer to confirm the compliance requirements for their project.

