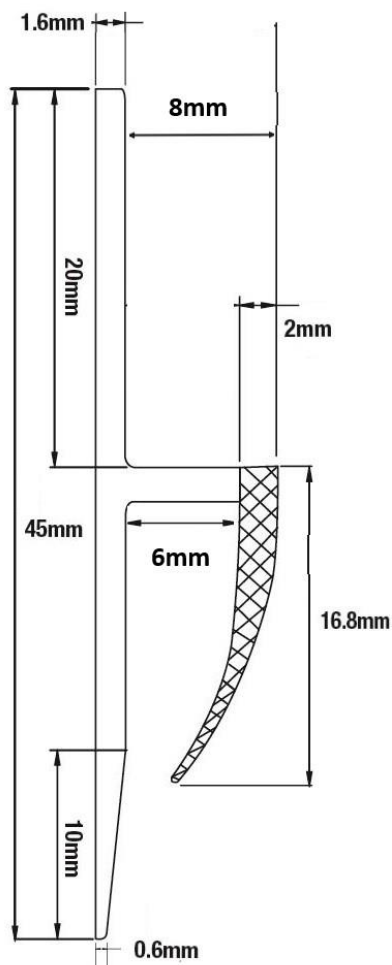


VINYL TRANSITION EDGE PVC - VTRANS



- ✓ Wall tile to vinyl transition trim.
- ✓ Rigid PVC trim with flexible cover to suit various vinyl thicknesses.
- ✓ Supplied in 3m lengths
- ✓ Available in white



CODE	DESCRIPTION	PK QTY
VTRANS	VINYL TRANSITION – WALL TILE TO VINYL 3M WHITE	20

Installation instructions:

Cut the VTRANS trim to your required length, fix onto the wall ensuring the trim is level by nailing, stapling or gluing. Tiles can then be installed. Vinyl is then inserted underneath the flexible cover and adhered to the wall.

Where a water tight seal is required the vinyl should be sealed with Ardex CA 20 P sealant into the transition edge.

Safety statement: When cutting or drilling we recommend the use of safety glasses and gloves.

