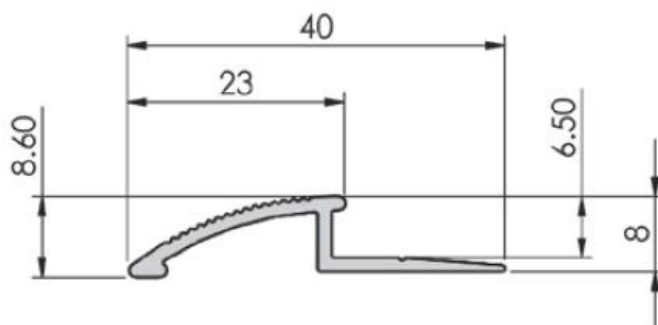
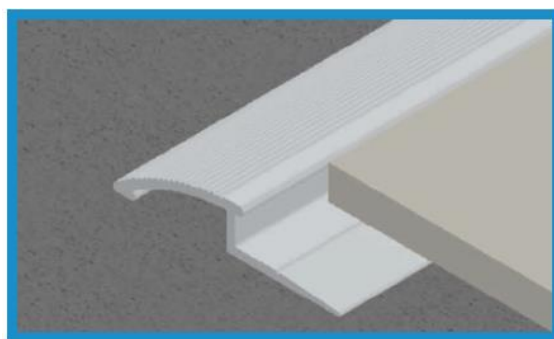


# 5mm CARPET TILE DIMINISHING STRIP

MJ59M is designed to finish carpet tiles to a lower adjoining floor surface.

The MJ59M diminishing strip provides protection to the trimmed edge of carpet tiles or direct stick carpets.



## Product specifications

Product code:	<b>MJ59M</b>
Overall length:	3.66m
Horizontal width:	40mm
Vertical Height:	8.6mm
Finish:	Mill Finish
Lengths per carton:	10

## Installation instructions

Cut the MJ59M to your required length. Secure in place using MJS GF400 adhesive. The MJ59M can also be drilled and counter-sunk for screw-fixing if required (screws and plugs sold separately). Once adhesive is cured install the carpet tile into the diminishing strip.

**Safety statement:** When cutting or drilling aluminium we recommend the use of safety glasses and gloves.

