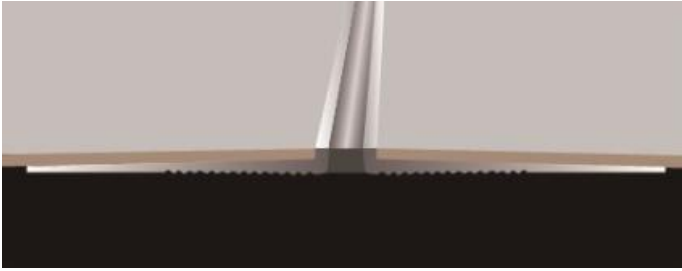
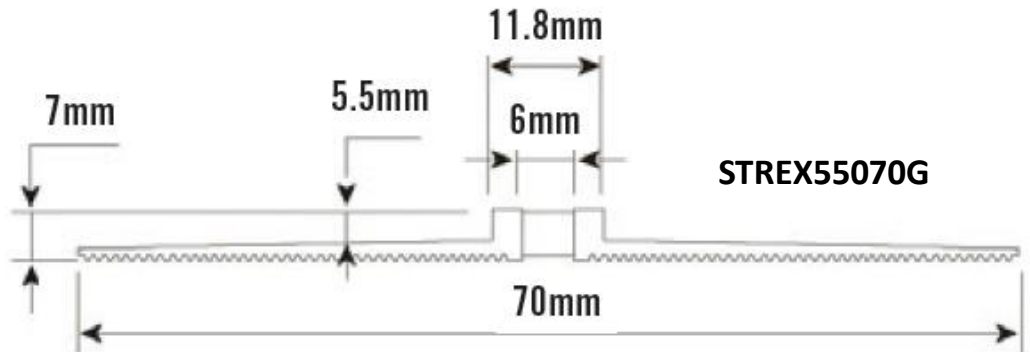
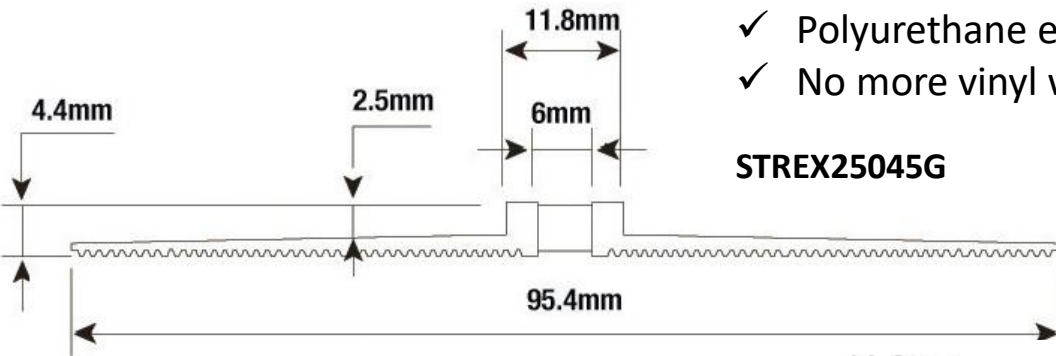


SEAMLESS TRANSITION EXPANSION JOINT



- ✓ Pre-fabricated polyurethane joint for transitioning vinyl where an expansion joint is required
- ✓ Quick and easy to install
- ✓ Consistent finish
- ✓ Reduces down time due to drying
- ✓ Polyurethane expansion joint
- ✓ No more vinyl welding

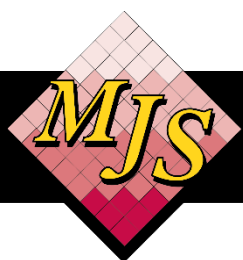


Notation: Pre-fitted with grey polyurethane joint

Product specifications

Product code:	STREX25045G	STREX55070G
Overall length:	3.3m	3.3m
Horizontal width:	95.4mm	70mm
Vertical height:	4.4mm	7mm
Lateral expansion:	+/-1.5mm	+/- 1.5mm
Anodised finish:	Silver	Silver
Polyurethane Insert colour:	Grey	Grey
Lengths per carton:	10	10





SEAMLESS TRANSITION EXPANSION JOINT

Installation Instructions

To adhere the MJS STREX trim to substrate use MJS GF400 construction adhesive applied to clean substrate with paint brush as per TDS

To install sheet vinyl onto top of trim use either MJS 102 Super Contact or MJS WBC (Water Based Contact) applied with paint brush as per TDS

Please Note: Do not apply adhesive to the underside of the polyurethane insert as this will restrict movement.

Safety statement: When cutting or drilling aluminium we recommend the use of safety glasses and gloves.

Disclaimer: We recommend product selection is approved by the project engineer prior to installation. It is the responsibility of the customer to confirm the selected product is suitable for their project requirements.

